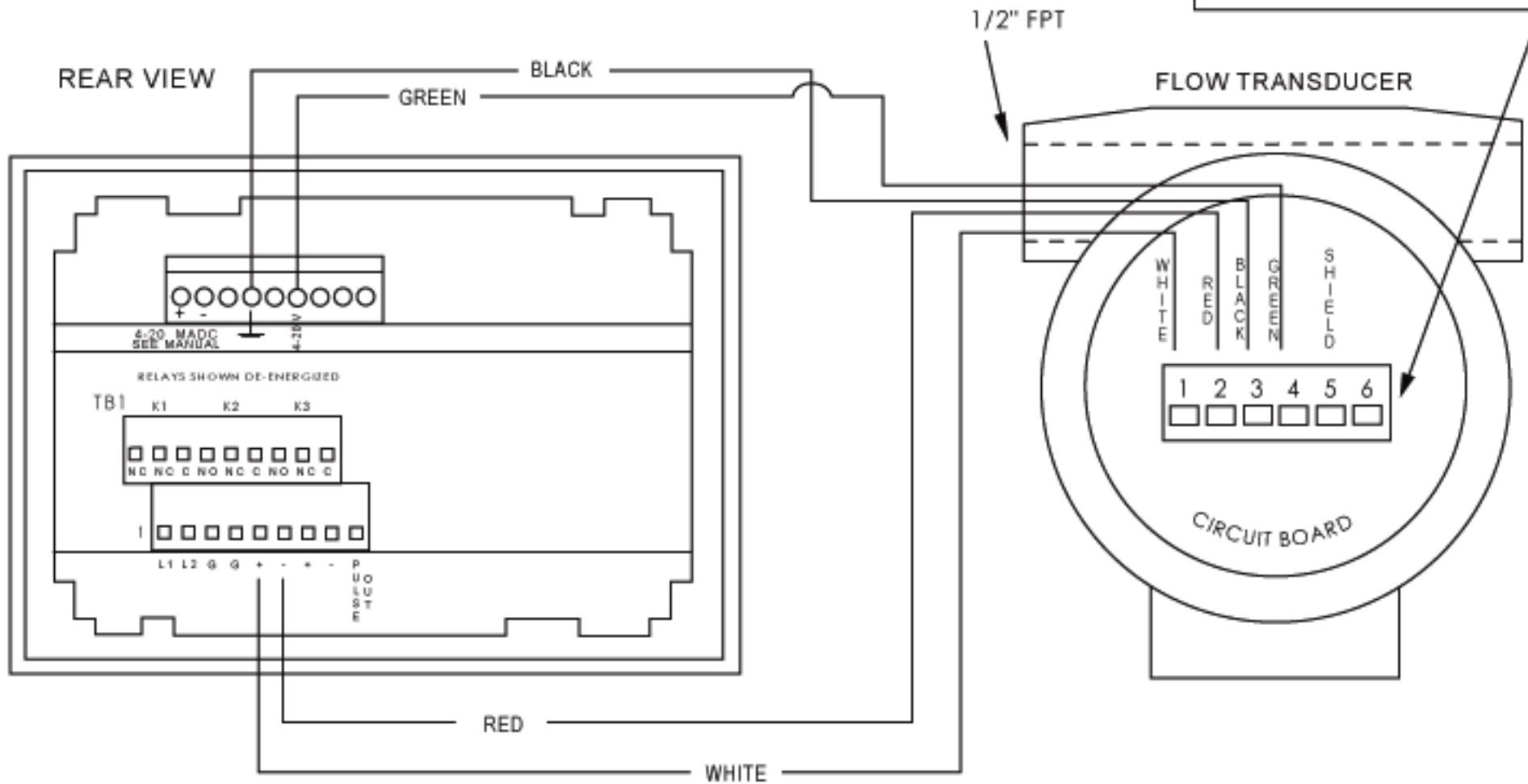


ELECTRONIC SIGNAL CONDITIONER 9200



MODEL:

S/N

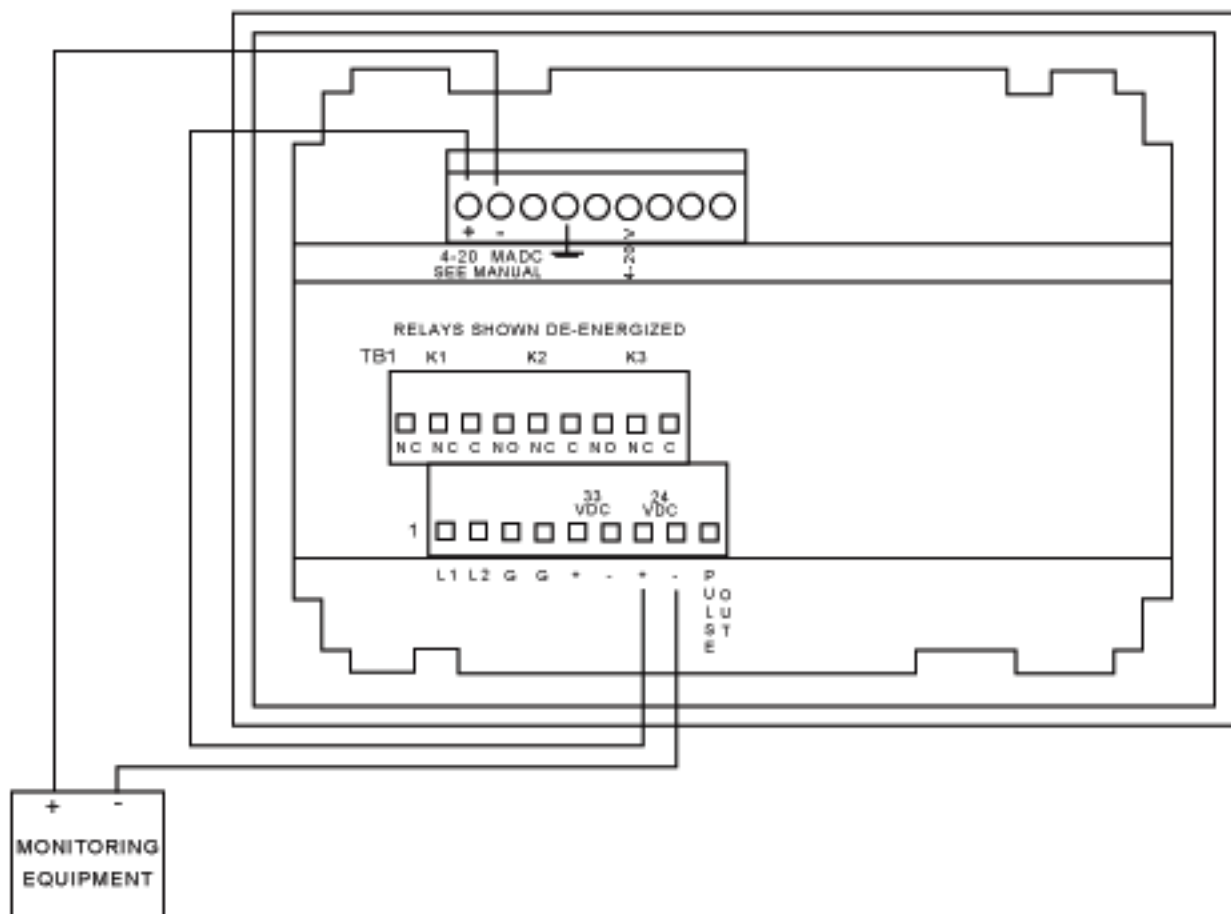
MODEL 9200
EXTERNAL WIRING DIAGRAM
FOR PANEL MOUNT

THERMAL INSTRUMENT CO.
TREVOSÉ, PA

DATE:

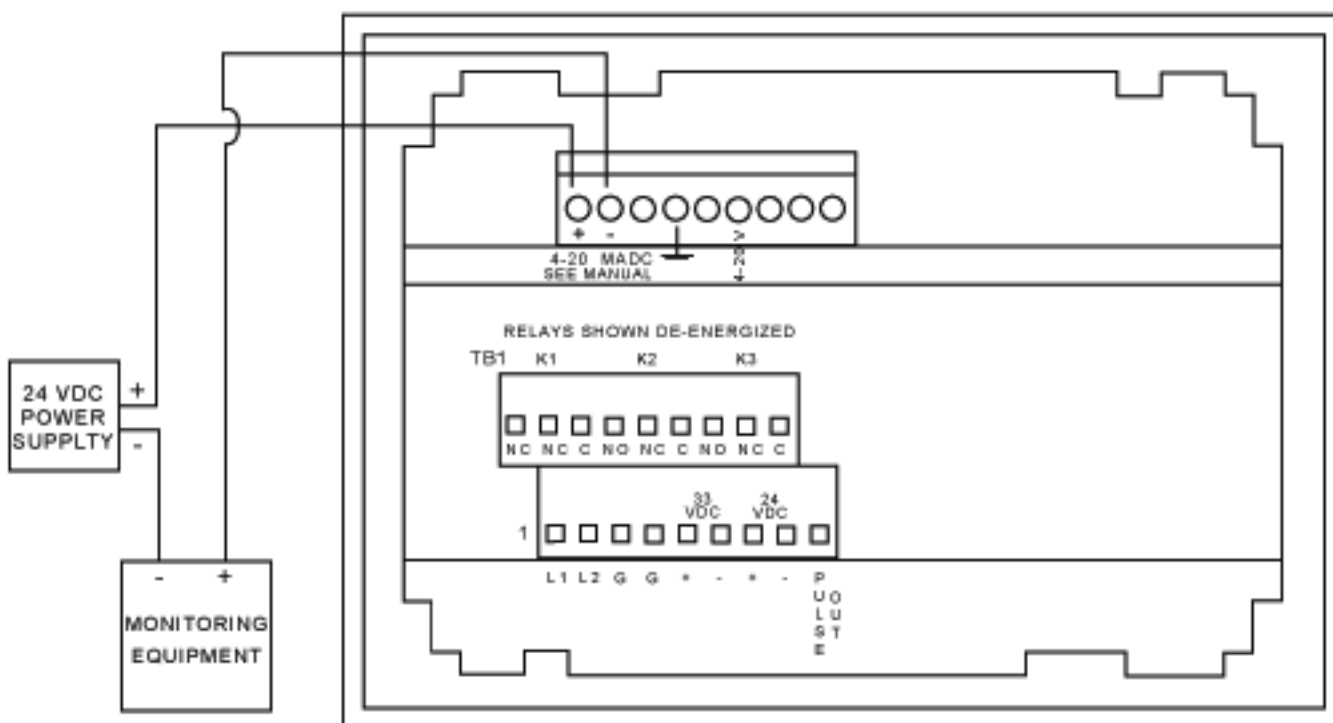
ANALOG RATE OUTPUT WIRING WITH INTERNAL POWER SUPPLY

REAR VIEW



ANALOG RATE OUTPUT WIRING WITH REMOTE POWER SUPPLY

REAR VIEW



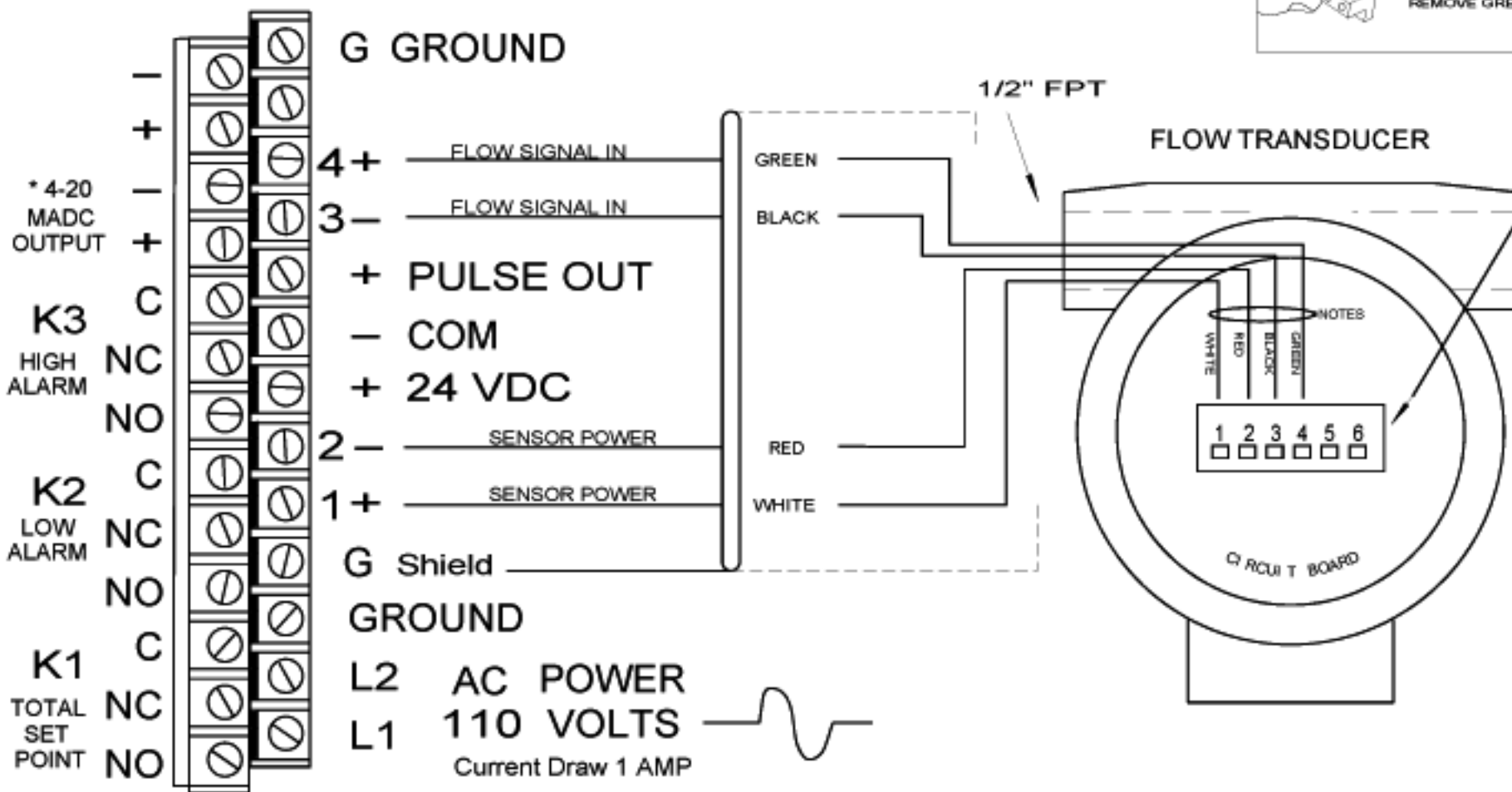
MODEL:

S/N

MODEL 9200
4-20 ADC OUTPUT
CONFIGURATION FOR PANEL MOUNT

THERMAL INSTRUMENT CO.
TREVOSTE, PA

DATE:

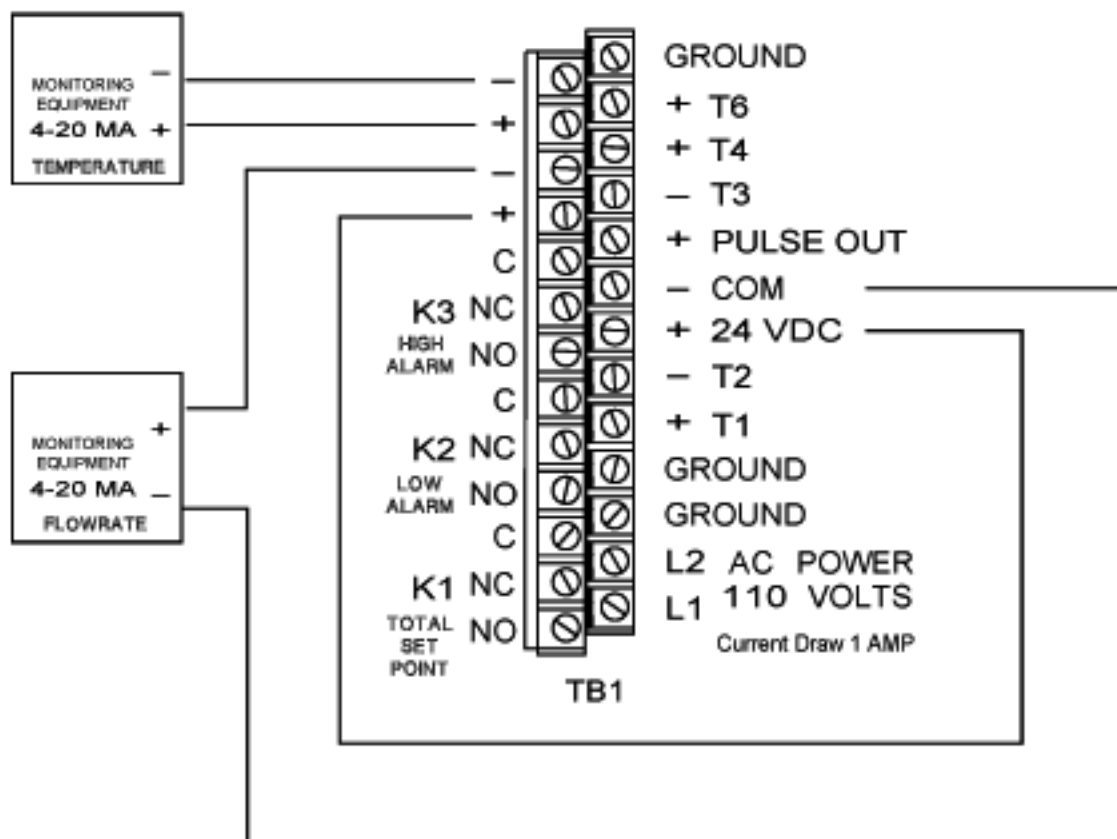


NOTE:
1. DO NOT CONNECT SHIELD AT SENSOR HOUSING !

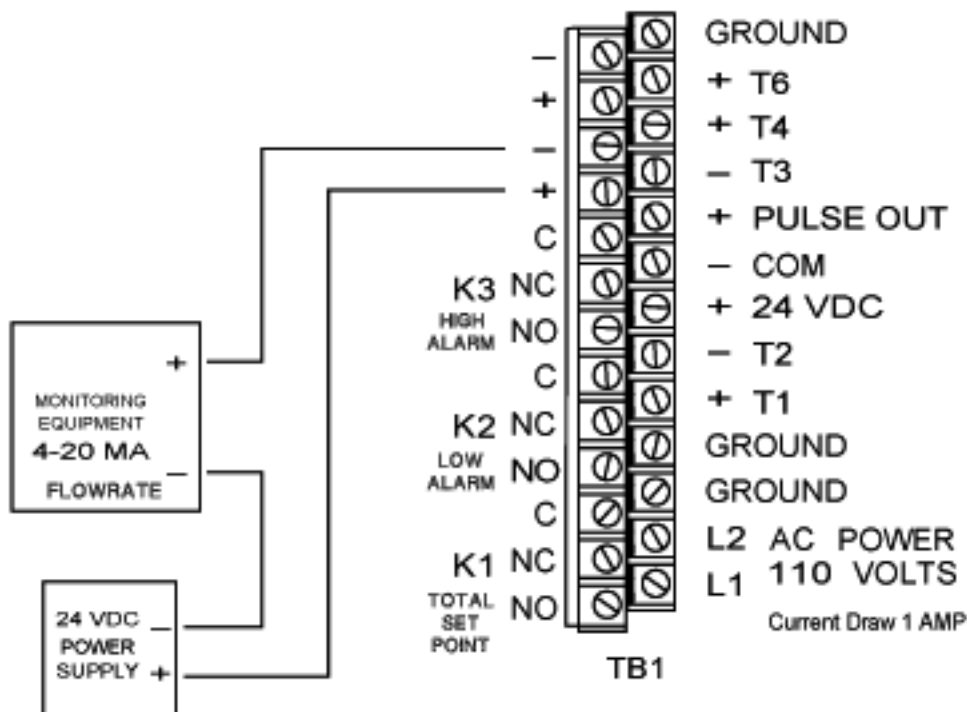
* SEE 4-20 MADC OUTPUT SHEET

MODEL:	EXTERNAL WIRING DIAGRAM IN NEMA 4 HOUSING	THERMAL INSTRUMENT CO. TREVOSE, PA.
S/N		DATE: TIC-437-9

ANALOG RATE OUTPUT WIRING WITH INTERNAL POWER SUPPLY
9200 ELECTRONICS



ANALOG RATE OUTPUT WIRING WITH REMOTE POWER SUPPLY
9200 ELECTRONICS



MODEL NO:
S/N

MODEL 9200
 4-20 MADC OUTPUT
 CONFIGURATION FOR NEMA 4 HOUSING

THERMAL INSTRUMENT CO.
 TREVOSE, PA
 DATE: