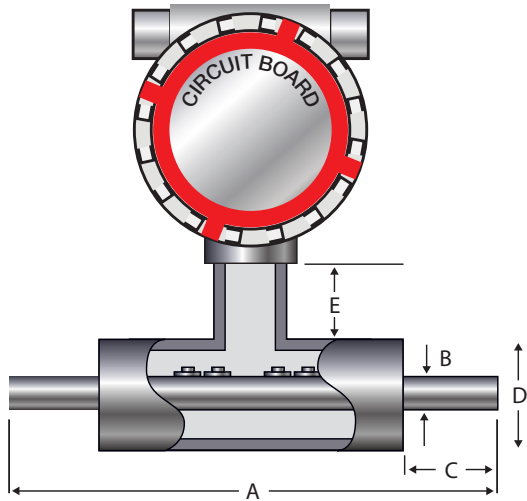
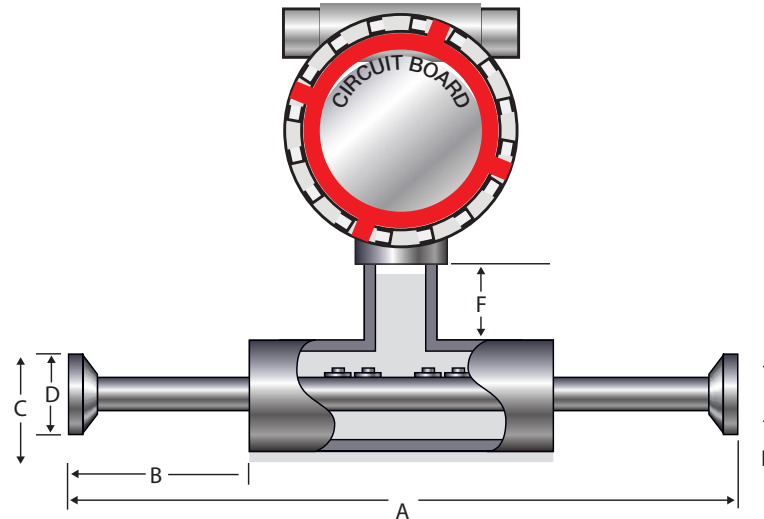


### Tube End Construction Dimensions



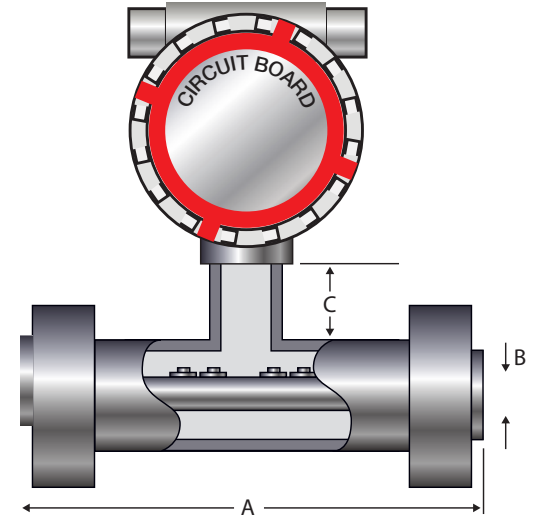
	TUBE $\leq 3/4"$	TUBE $\geq 1"$
A	6 "	8"
B	$1/8"$ to $3/4$ OD	1" and up
C	1 "	2"

### Sanitary End Construction Dimensions



A	9" all size tubes
B	$2 1/2"$ all size tubes
C	$2" \pm 1"$ plus E
D	$1/2"$ up to 4" tri-clamp
E	$1/4"$ to 4"

### Flanged Construction Dimensions



A	6	6	6	6	6	6	8	8	8	8	150 <sup>RF</sup>
B	$1/2$	$3/4$	1	2	3	4	6	8	10	12	or NPT
C	3	3	3	3	3	3	3	3	3	3	

Consult Factory  
 A Non-standard length  
 B 300 lb and higher  
 C 6" - 200° to 250°F  
 10" - 250° to 550°F  
 18" - 550°F to 850°F



Thermal Instrument Co.

217 Sterner Mill Road, Trevoze, PA 19053

Tel: 215-355-8400 Fax: 215-355-1789

Email: office@thermalinstrument.com