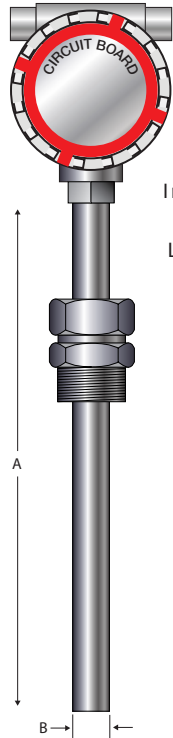


Dimensions of Flow Probe with Packing Gland

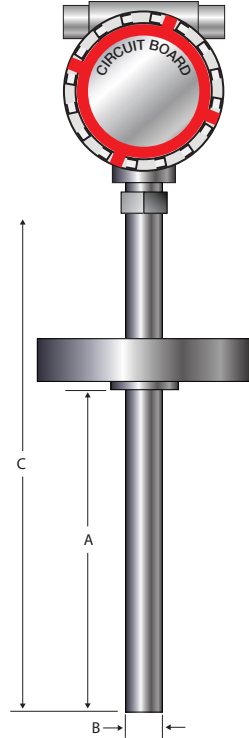


Recommended Insertion Lengths for Gases and Liquids

Line Size ID	Probe Tip
2"	1 3/4"
3"	2 3/4"
4"	3 3/4"
5"	4 3/4"
6"	5 3/4"
7"	6 3/4"
8"	7 1/2"
10"	8 1/2"
12"	9 1/2"
16"	11 1/2"
18"	12 1/2"
24"	15 1/2"
30"	18 1/2"
38"	21 1/2"
48"	27 1/2"

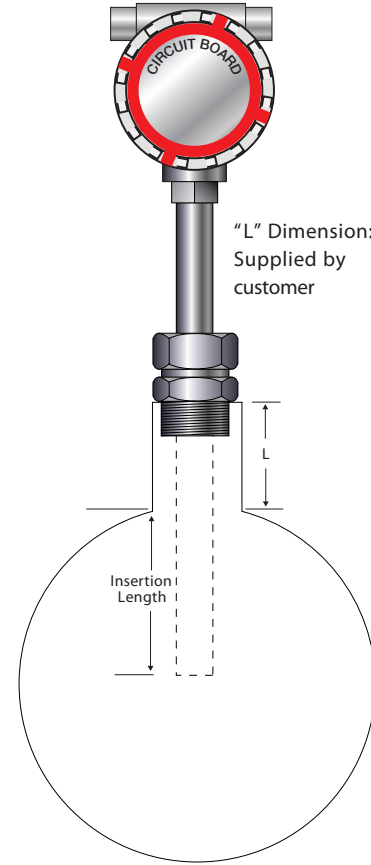
- A Use recommended insertion length chart plus "L" dimension plus 6"
- B 1/2", 3/4", 1", 1 1/2" and 2" OD, application dependent

Dimensions of Flow Probe with Flanged Connections

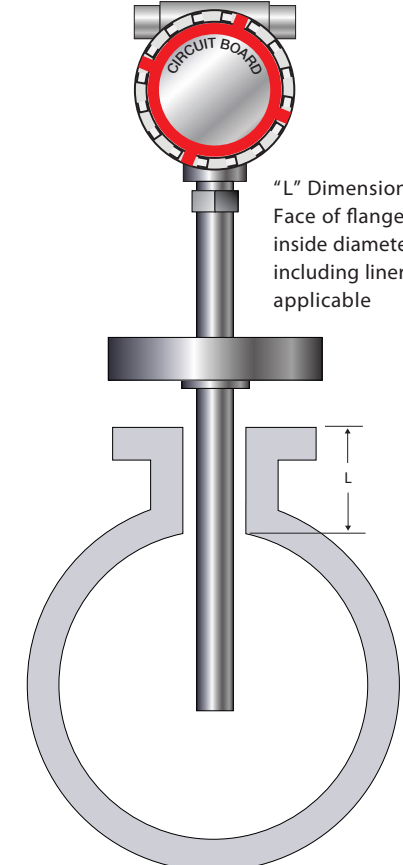


- A Use recommended insertion length chart plus "L" dimension
- B 1/2", 3/4", 1", 1 1/2" and 2" OD, application dependent
- C A+5", up to 150°F; A+10", to 250°F; A+15", 250°F to 500°F
Flange size and rating application dependent

Flow Probe Partially Withdrawn



"L" Dimension: Supplied by customer



"L" Dimension: Face of flange to inside diameter, including liner if applicable



Thermal Instrument Co.

217 Sterner Mill Road, Trevoze, PA 19053

Tel: 215-355-8400 Fax: 215-355-1789

Email: office@thermalinstrument.com