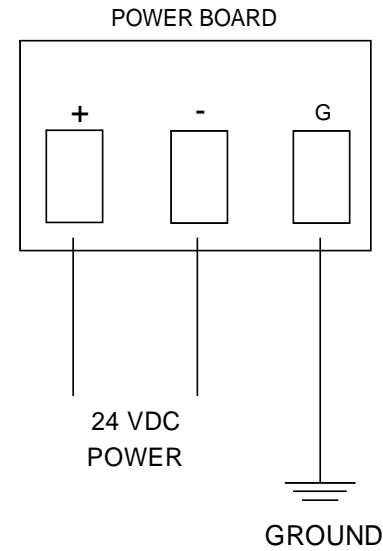
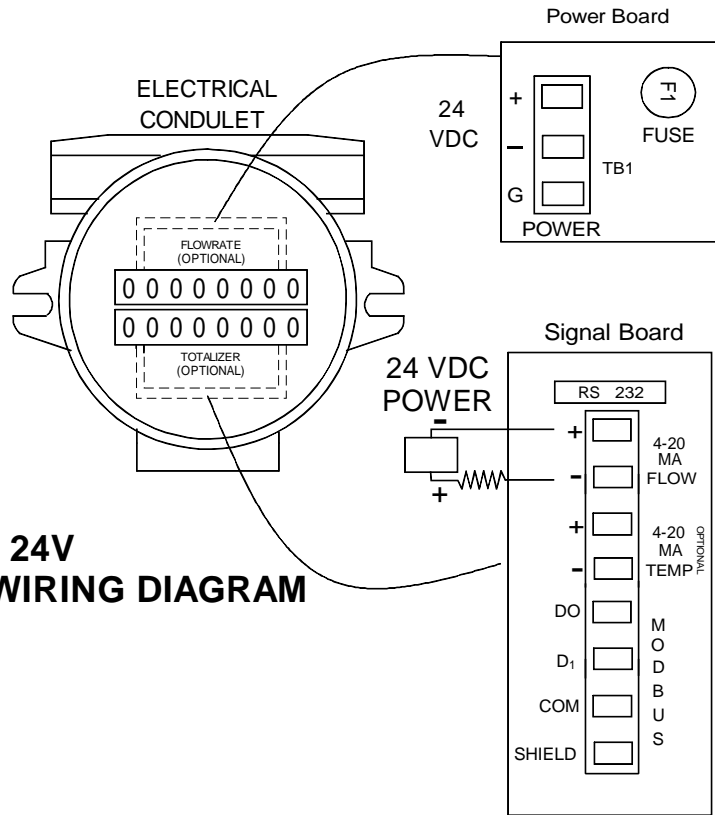


**24V
WIRING DIAGRAM**



1 Amp Max. power draw
on initial power-up

S/N:

**INTEGRAL 9500P TYPE ELECTRONICS WIRING DIAGRAM
WITH MOD BUS**

Thermal Instrument Company
217 Sterner Mill Road, Trevese, PA
ISSUED FOR RELEASE: 2/10/15
DRAWING NO. TIC 436-2
WIRING-9500P-TERM BOARDS-MODBUS-24V-2-10-15